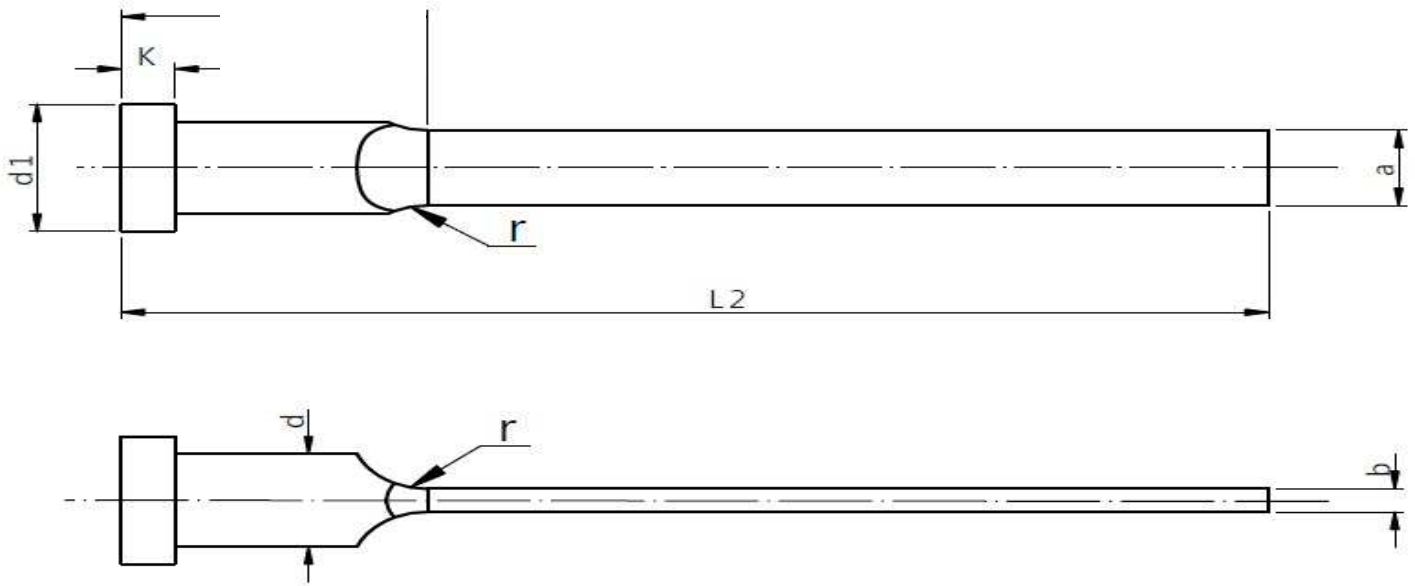


# ESTRATTORI TESTA CILINDRICA LAMELLARI NITRURATI

## NITRIDED FLAT EJECTOR PINS



Mat.: WAS ( $\approx 1.2343$ ) - DIN 1530-4/ISO 8693

d	a	b	d1	K	I2-1/2									
					30	40	50	60	80	100	125	150	200	
h11	0,000 -0,015	0,000 -0,015	0,00 -0,20	0,00 -0,05	L1+2/-0 60	L1+2/-0 80	L1+2/-0 100	L1+2/-0 125	L1+2/-0 160	L1+2/-0 200	L1+2/-0 250	L1+2/-0 315	L1+2/-0 400	
4	3,5	1,0	8	3	✓	✓	✓	✓						
4,2	3,8	1,0			✓	✓	✓	✓	✓					
		1,2	✓		✓	✓	✓	✓						
5	4,5	1,0	10		✓	✓	✓	✓	✓	✓				
		1,2		✓	✓	✓	✓	✓						
		1,5		✓	✓	✓	✓	✓						
6	5,5	1,0	12		✓	✓	✓	✓	✓	✓				
		1,2		✓	✓	✓	✓	✓						
		1,5		✓	✓	✓	✓	✓						
		2,0		✓	✓	✓	✓	✓						
8	7,5	1,2	14	5			✓	✓	✓	✓				
		1,5					✓	✓	✓	✓				
		2,0					✓	✓	✓	✓	✓	✓		
10	9,5	1,5	16				✓	✓	✓	✓	✓	✓	✓	
		2,0					✓	✓	✓	✓	✓	✓	✓	
12	11,5	2,0	18	7			✓	✓	✓	✓	✓	✓	✓	
		2,5					✓	✓	✓	✓	✓	✓	✓	
16	15,5	2,0	22						✓	✓	✓	✓	✓	
		2,5						✓	✓	✓	✓	✓	✓	