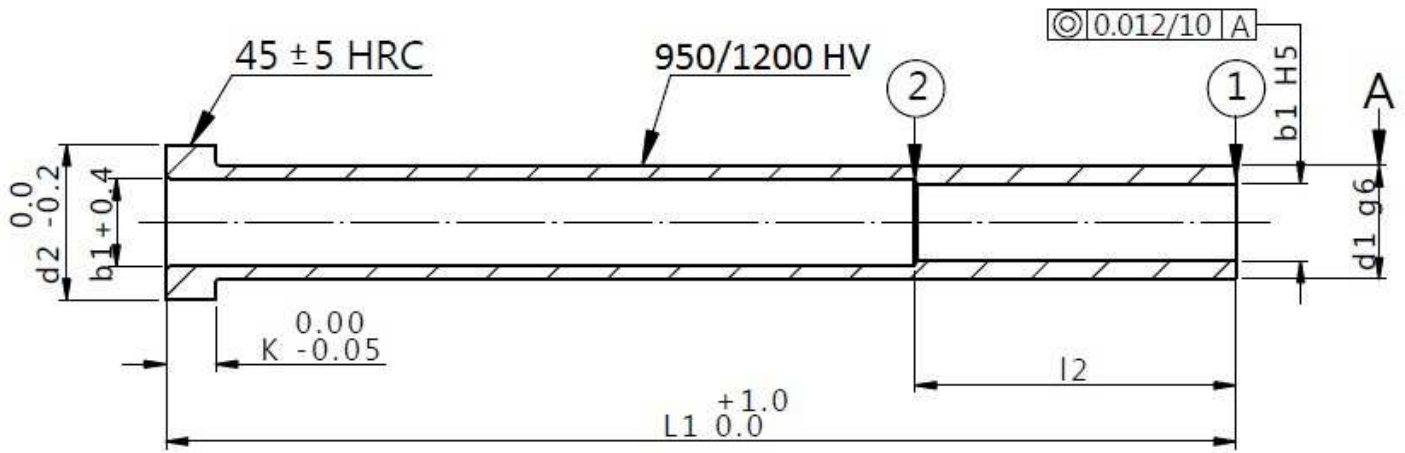


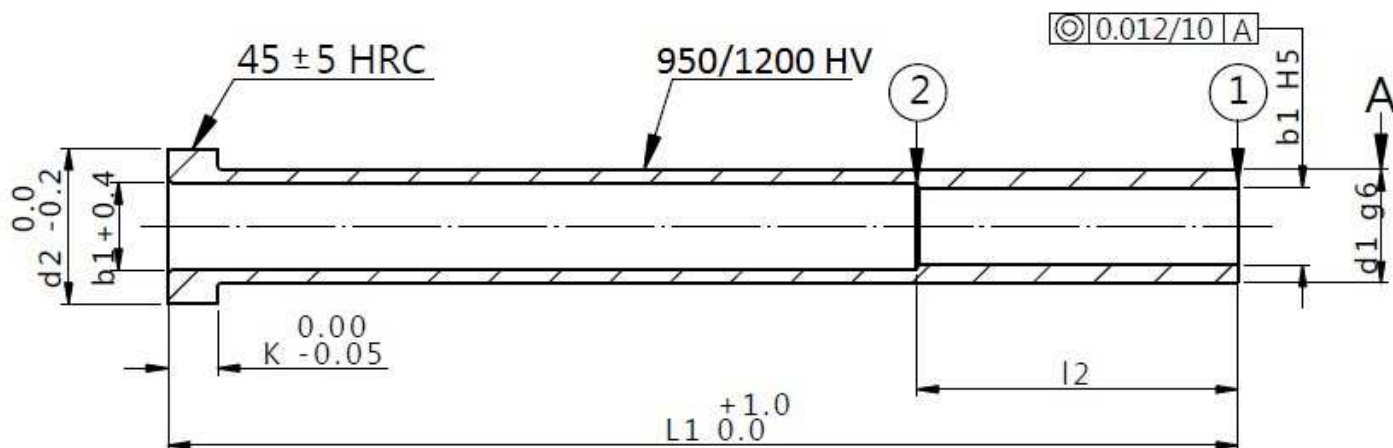
ESTRATTORI A CANNOCCHIALE TEMPRATI E NITRURATI HARDENED AND NITRIDED EJECTOR SLEEVES



Mat.: WAS (≈ 1.2343) - DIN 16756/ISO 8405

				L1+1								
b1 H5	d1 g6	l2	d2xk	50	75	100	125	150	175	200	225	250
0,8	2,0	25	5x2	√	√	-	-	-	-	-	-	-
1,0	2,5	25	5x2	√	√	-	-	-	-	-	-	-
1,1	2,5	25	5x2	√	√	-	-	-	-	-	-	-
1,2	2,5	25	5x2	√	√	√	-	-	-	-	-	-
1,3	2,5	25	5x2	√	√	√	-	-	-	-	-	-
1,4	3,0	35	6x3	-	√	√	√	-	-	-	-	-
1,5	3,0	35	6x3	-	√	√	√	√	-	-	-	-
1,6	3,0	35	6x3	-	√	√	√	√	-	-	-	-
1,7	3,0	35	6x3	-	√	√	√	√	-	-	-	-
1,8	3,0	35	6x3	-	√	√	√	√	-	-	-	-
1,9	3,0	35	6x3	-	√	√	√	√	-	-	-	-
2,0	4,0	35	8x3	-	√	√	√	√	√	√	√	√
2,2	4,0	35	8x3	-	√	√	√	√	√	√	√	√
2,5	5,0	35	10x3	-	√	√	√	√	√	√	√	√
2,7	5,0	45	10x3	-	√	√	√	√	√	√	√	√
3,0	5,0	45	10x3	-	√	√	√	√	√	√	√	√
3,2	5,0	45	10x3	-	√	√	√	√	√	√	√	√
3,5	6,0	45	12x5	-	√	√	√	√	√	√	√	√

ESTRATTORI A CANNOCCHIALE TEMPRATI E NITRURATI HARDENED AND NITRIDED EJECTOR SLEEVES



Mat.: WAS (≈1.2343) - DIN 16756/ISO 8405

				L1+1								
b1 H5	d1 g6	l2	d2xk	50	75	100	125	150	175	200	225	250
3,7	6,0	45	12x5	-	√	√	√	√	√	√	√	√
4,0	6,0	45	12x5	-	√	√	√	√	√	√	√	√
4,2	8,0	45	14x5	-	√	√	√	√	√	√	√	√
4,5	8,0	45	14x5	-	√	√	√	√	√	√	√	√
5,0	8,0	45	14x5	-	√	√	√	√	√	√	√	√
5,2	8,0	45	14x5	-	√	√	√	√	√	√	√	√
5,5	8,0	45	14x5	-	√	√	√	√	√	√	√	√
6,0	10,0	45	16x5	-	√	√	√	√	√	√	√	√
6,2	10,0	45	16x5	-	√	√	√	√	√	√	√	√
6,5	10,0	45	16x5	-	√	√	√	√	√	√	√	√
8,0	12,0	45	20x7	-	√	√	√	√	√	√	√	√
8,2	12,0	45	20x7	-	√	√	√	√	√	√	√	√
8,5	12,0	45	20x7	-	√	√	√	√	√	√	√	√
10,0	14,0	50	22x7	-	√	√	√	√	√	√	√	√
10,2	14,0	50	22x7	-	√	√	√	√	√	√	√	√
10,5	14,0	50	22x7	-	√	√	√	√	√	√	√	√
12,0	16,0	50	22x7	-	√	√	√	√	√	√	√	√