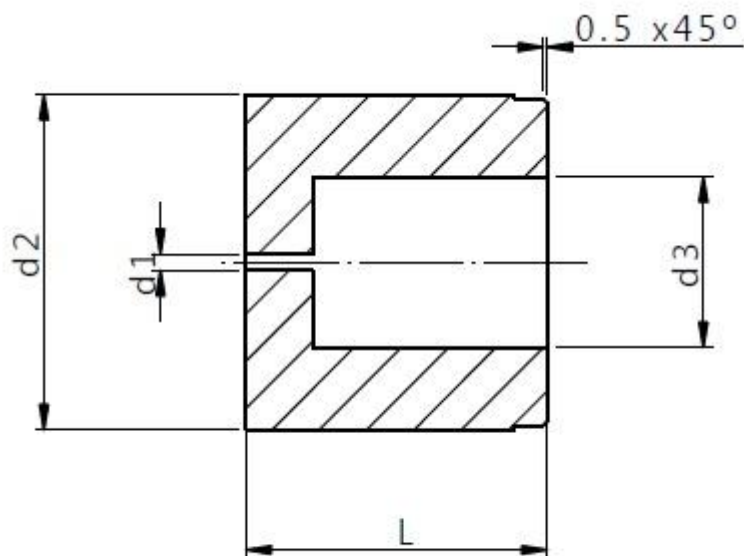


MATRICI CON PREFORO ISO 8977 A
MATRICES WITH START BORE ISO 8977 A



Mat.: HSS

d2 n5	d1	d3	l	L=16 0/+0.5	L=20 0/+0.5	L=25 0/+0.5	L=32 0/+0.5
5	1,0	2,8	2,0	√	√	√	
6	1,0	3,5	3,0	√	√	√	
8	1,0	4,0	4,0	√	√	√	√
10	1,0	5,8	4,0	√	√	√	√
13	1,2	8,0	5,0		√	√	√
16	1,2	9,5	5,0		√	√	√
20	1,5	12,0	8,0		√	√	√
25	1,5	17,3	8,0		√	√	√
32	1,5	20,7	8,0		√	√	√
40	1,5	27,7	8,0		√	√	√